

DECLARATION OF CONFORMITY  
DECLARACIÓN DE CONFORMIDAD

**BE basor**  
E L E C T R I C

www.basor.com



The company / *La Empresa:*

**BASOR ELECTRIC, S.A.**

Address / *Dirección:*

Av. Alcodar, 45-47, 46700. Gandía (VLC), Spain.

Declares that the product:

*Declara que el producto:*

**BASORSUPPORT SHR**

Installed in accordance to the installation standards, manufacturer's instructions and professional rules, duly maintained and used for the applications as intended.

*Instalado de acuerdo con las normas de instalación, instrucciones del fabricante y conforme a las reglas profesionales, debidamente mantenido y utilizado en las aplicaciones para las que está previsto.*

Complies with the essential requirements of the Council Directives:

*Cumple con los requisitos esenciales de las Directivas del Consejo:*

**2014/35/UE (Low Voltage Directive) / (Directiva de Baja Tensión)**

Incorporated in the Spanish Legislation in: R.D. 7/1988 and its modification R.D. 154/1995.

*Incorporado en la Legislación Española en: R.D. 7/1988 y su modificación R.D. 154/1995.*

And it is suitable and safe for the intended use and it is in conformity with the following standard:

*Es adecuado y seguro para el uso a que está destinado y es conforme con la siguiente norma:*

**UNE EN 61537**

Additional information:

*Información adicional:*

This product is intended to be installed and maintained by skilled persons, it may be used by ordinary persons only as a replacement part, to substitute for an identical device.

*Este producto está previsto para ser instalado y mantenido por un profesional, puede ser usado por una persona no formada para reemplazamiento de uno idéntico.*

Place and date:

*Lugar y fecha:*

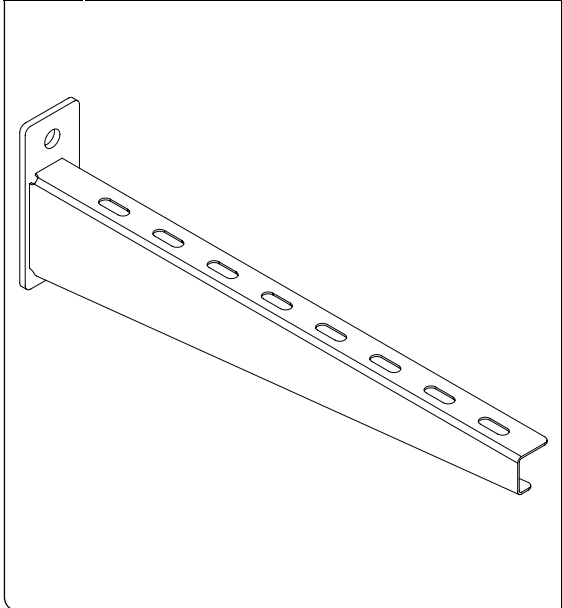
Gandía April 2016

*Gandía Abril 2016*

Technical department / *Departamento Técnico*



**SHR ss304 - ss316 HORIZONTAL SUPPORT**



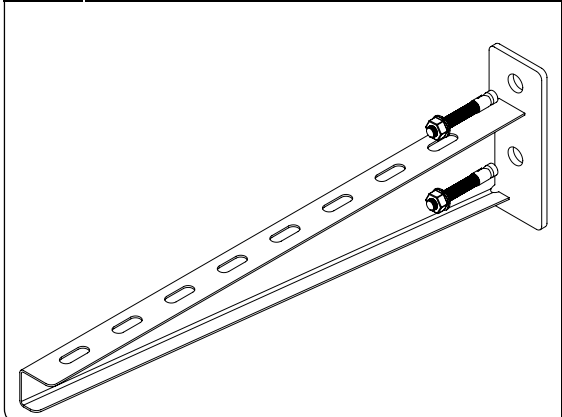
**Models (B):**  
300; 400; 500; 600; 700; 800.

**Materials:** ss304, ss316

**Characteristics:**

- Metallic
- Non flame propagating component
- With electrical continuity
- Electrically conductive component
- Minimum temperature of -50 °C
- Maximum temperature of 150 °C
- Corrosion resistance:
  - ss304 (passivated): class 9C
  - ss316 (passivated): class 9D

**MOUNTING INSTRUCTIONS**



- To fix the support to the wall, two anchors are needed.
- Tray installation for an electrical system should NOT run under other types of canalisations such as water, vapour or gas.
- To guarantee a good ventilation we recommend installing the trays keeping a minimum distance of 250 mm (10") between each tray.
- Trays which are placed on supports shall have to keep a gap of 20 mm (4/5") from the wall to allow for a proper ventilation of the cables.

**SAFE WORKING LOAD**

